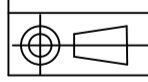
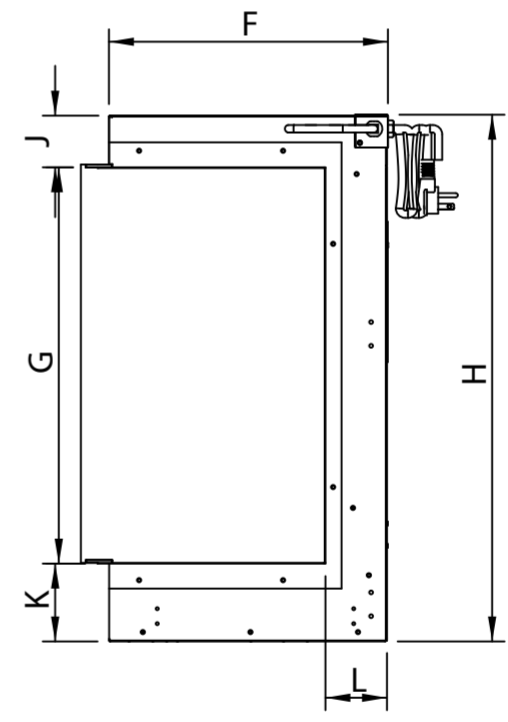
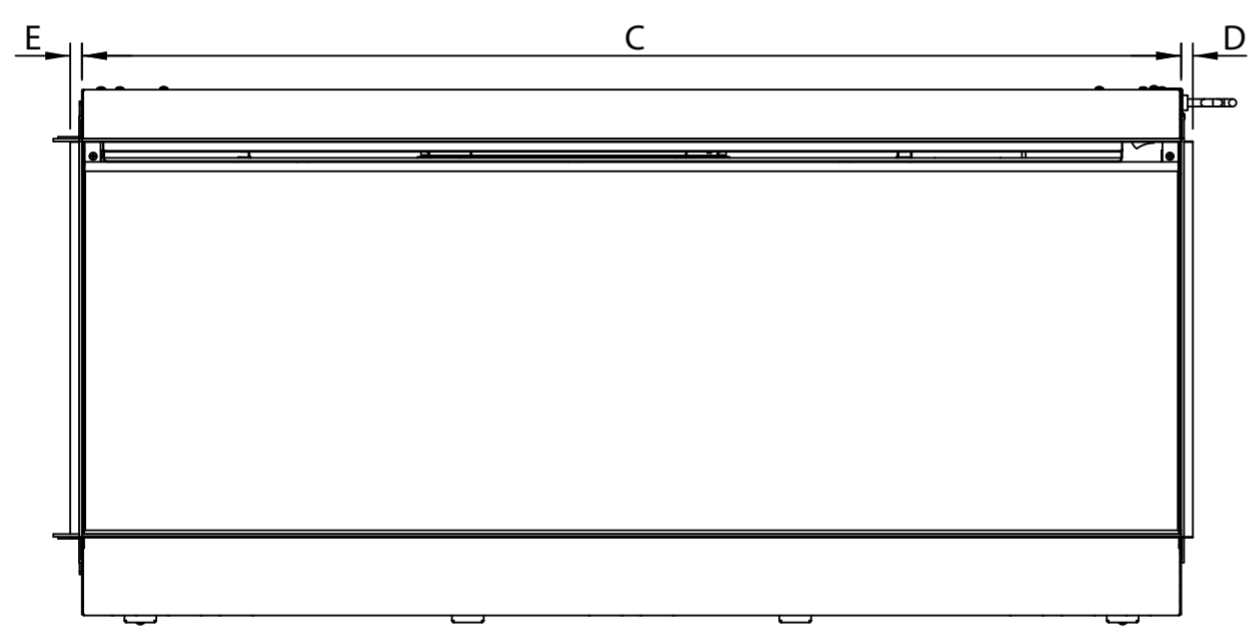
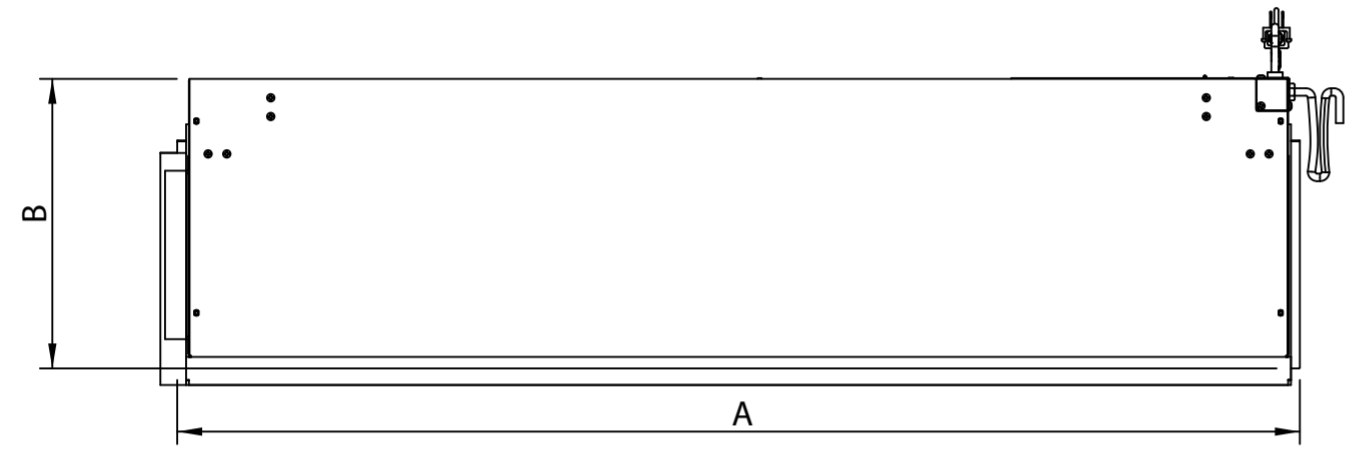


- A - 1200
- B - 311
- C - 1176
- D - 12.5
- E - 12.5
- F - 300
- G - 424
- H - 565
- J - 55
- K - 83.5
- L - 66



ALL DIMS IN MM  
DO NOT SCALE

ALL COMPONENTS TO BE FREE FROM SILICONE CONTAMINATION AND BURRS.  
TOLERANCES +/- 0.25 UNLESS OTHERWISE STATED. ORIGINAL PAGE SIZE A3

ALL INFORMATION REMAINS THE PROPERTY OF FOCAL POINT FIRES PLC  
THE COPYING AND DISSEMINATION TO ANY OTHER PARTIES IS NOT  
PERMITTED WITHOUT EXPRESS PERMISSION OF THE ABOVE.

AVON TRADING  
PARK  
RED STREET  
CHRISTCHURCH  
DORSET BH23 2BT

LOC.	CHANGE & ACTIONED BY	DATE	ISS.
USED ON EF40-48			DRWN: Peterd
SCALE:	MATL:		CHKD:
DATE: 06/07/2020	FIN: Error: No reference		
PART No: F500724			ISS
DESC: EF40-48 NEW FOREST 1			<b>A0</b>

1

2

3

4